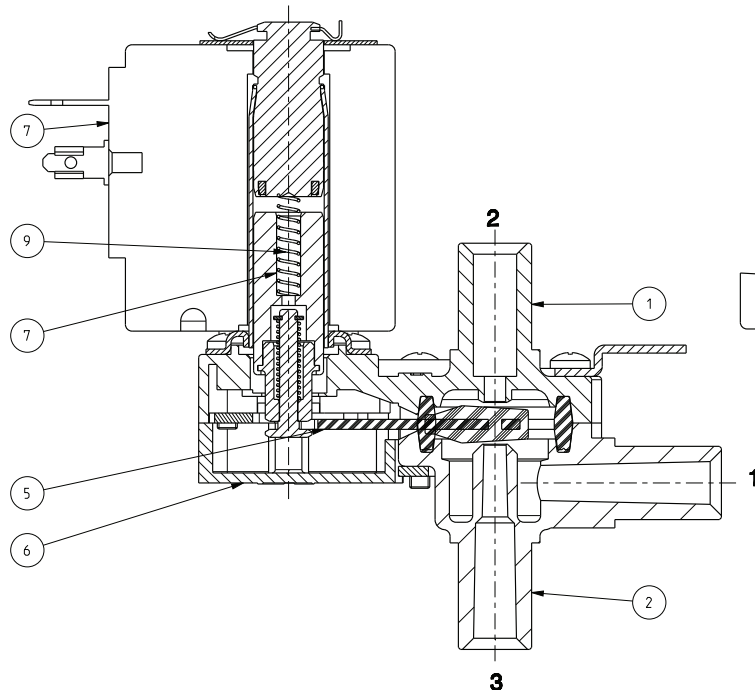


SERIES
D344

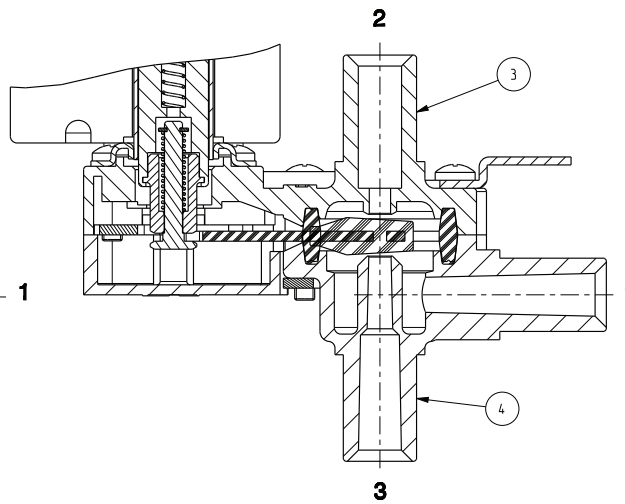
ASCO™ SOLENOID VALVE - DRY
3/2 US - DIRECT ACTING - TOTAL ISOLATION - G 1/4 – BARBED PORT

Spare Parts

D344-D-S-V56



D344-D-S-V57



| Kit description | Model | Kit P.N. | Consisting of: |
|-----------------|-----------------|----------|--|
| Body kit | D344D56-S56-V56 | G2846702 | Upper body pos.1 Lower body pos.2 |
| | D344D57-S57-V57 | G2846701 | Upper body pos.3 Lower body pos.4 |
| Core kit | | G2999401 | Core pos.8 Core return spring pos.9 |
| Lever seal kit | D344D56-D57 | 2977703R | Lever seal kit pos. 5 |
| | D344S56-S57 | 2977704R | |
| | D344V56-V57 | 2977702R | |
| Cover | | 3119801R | Cover pos. 6 |
| Coil | | Z530A | Coil pos. 7 |

Installation

- In case of disassembling for usual maintenance, the fixing screws have to be tightened at 0,6 Nm max torque.
- Solenoid valve can be mounted in any position.
- Maximum driving torque of the pipe fittings for thread connections = 10Nm.

THE VALIDITY OF REPORTED DATA IS REFERRED TO THE DATE OF ISSUE. POSSIBLE UPDATES ARE AVAILABLE ON REQUEST