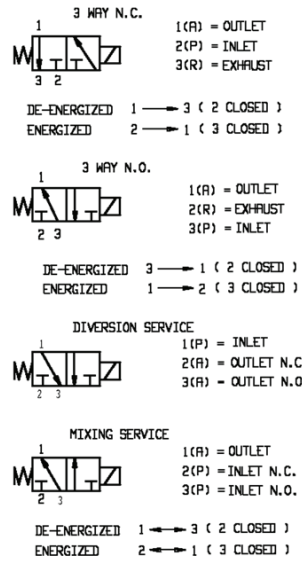
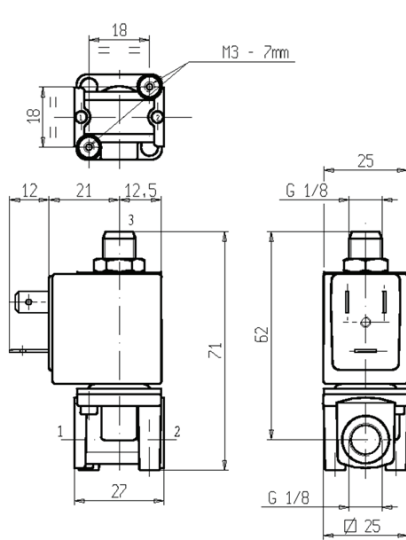


ASCO™ SOLENOID VALVE

3/2 NC - NO - UNIVERSAL FUNCTION – DIRECT ACTING - G 1/8

SERIES
L377



General Features

Direct acting solenoid valve.
Particularly suitable to operate single-acting cylinders.
Suitable to shut off liquid and gaseous fluids (verify the compatibility of fluid with materials in contact).

Technical Features	
Maximum allowable pressure (PS)	30 bar
Opening time	~15ms
Closing time	~15ms
Fluid temperature	-10°C +90°C (NBR) 0°C +130°C (FPM)
Max viscosity	5°E (~37 cStokes or mm ² /s)

Materials in Contact with Fluid	
Body	Brass
Sealing	NBR or FPM
Internal components	Stainless steel
Seat	Brass
Core tube	Stainless steel
Shading coil	Copper

Coil		
Continuous duty	ED 100%	
Encapsulation material	PET (polyethylene terephthalate) fiberglass reinforced	
Insulation class	F (155°C)	
Ambient temperature	-10°C +60°C	
Electric connections	DIN 46340 - 3 poles connectors	
Protection degree	IP 65 (EN 60529) with plug connector	
Voltages	DC	12-24V (+10% -5%)
	AC	24V/50-60Hz - 110V/50-60Hz (120V/60Hz) 230V/50-60Hz (+10% -15%) (Other voltages and frequencies on request)

Port size ISO 228	Orifice size (mm)	Δp min	Differential pressure (bar)				Kv (m ³ /h)	Series and type		Power absorption			Sealings	Notes	Weight (kg)	
			Δp max					Valve	Coil	AC (VA)		DC (W)				
			Gases		Liquids					Inrush	Holding					
G 1/8	1,6	0	10	10	8	8	0,08	L377B03C	Z610A	16	10	6	NBR	NC	0,170	
			6	6	6	6		L377V03C								
			6	6	6	6		L377B03A								
			6	6	6	6		L377B03G								

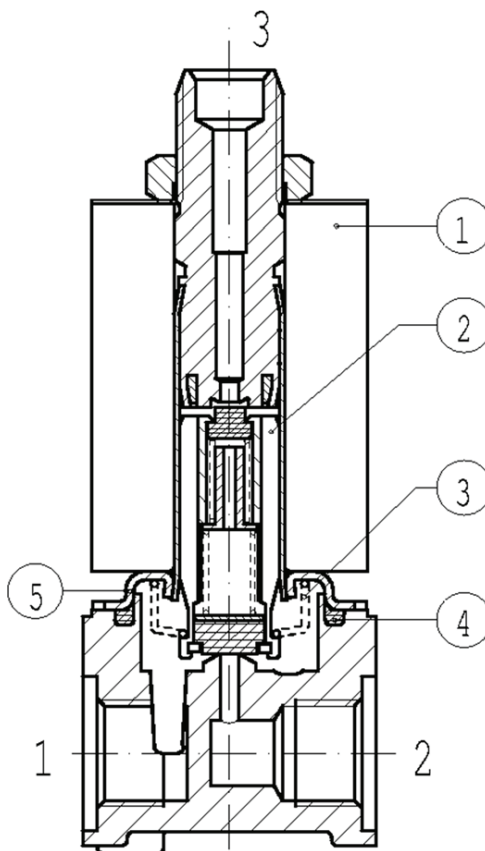
Notes

- Sealings : NBR = Nitrile-butylene elastomer FPM = Fluoro-carbon elastomer
- NC: Normally closed - NO: Normally open - UF: Universal function
- In case of disassembling of the coil, the fixing bolt has to be tightened at 3 Nm max. torque.
- 1 - The NO version is not suitable for installation on manifold: see the L331B24.

**SERIES
L377**

ASCO™ SOLENOID VALVE
3/2 NC - NO - UNIVERSAL FUNCTION – DIRECT ACTING - G 1/8

Spare Parts



Kit description	Model	Kit P.N.	Consisting of:
Core kit	L377B03C	G2934701	Core pos. 2 OR guide assembly pos. 4
	L377V03C	G2934702	
	L377B03A	G2934801	
	L377B03G	G2934901	
	L377V03G	G2934902	
Core return spring kit	L377B03C-V03C	G2926801	N.10 core return springs pos.3
	L377B03A	G2926901	
	L377B03G-V03G	G2927101	
OR guide assembly kit	L377B03C-B03A-B03G	GU2421000017	N.10 OR guide assembly pos. 4
	L377V03C-V03G	GU2424000017	
Guide assembly		2973101R	Guide assembly pos. 5
Coil		Z610A	Coil pos. 1

Installation

- Solenoid valve can be mounted in any position; vertical with coil upwards preferred.

THE VALIDITY OF REPORTED DATA IS REFERRED TO THE DATE OF ISSUE. POSSIBLE UPDATES ARE AVAILABLE ON REQUEST